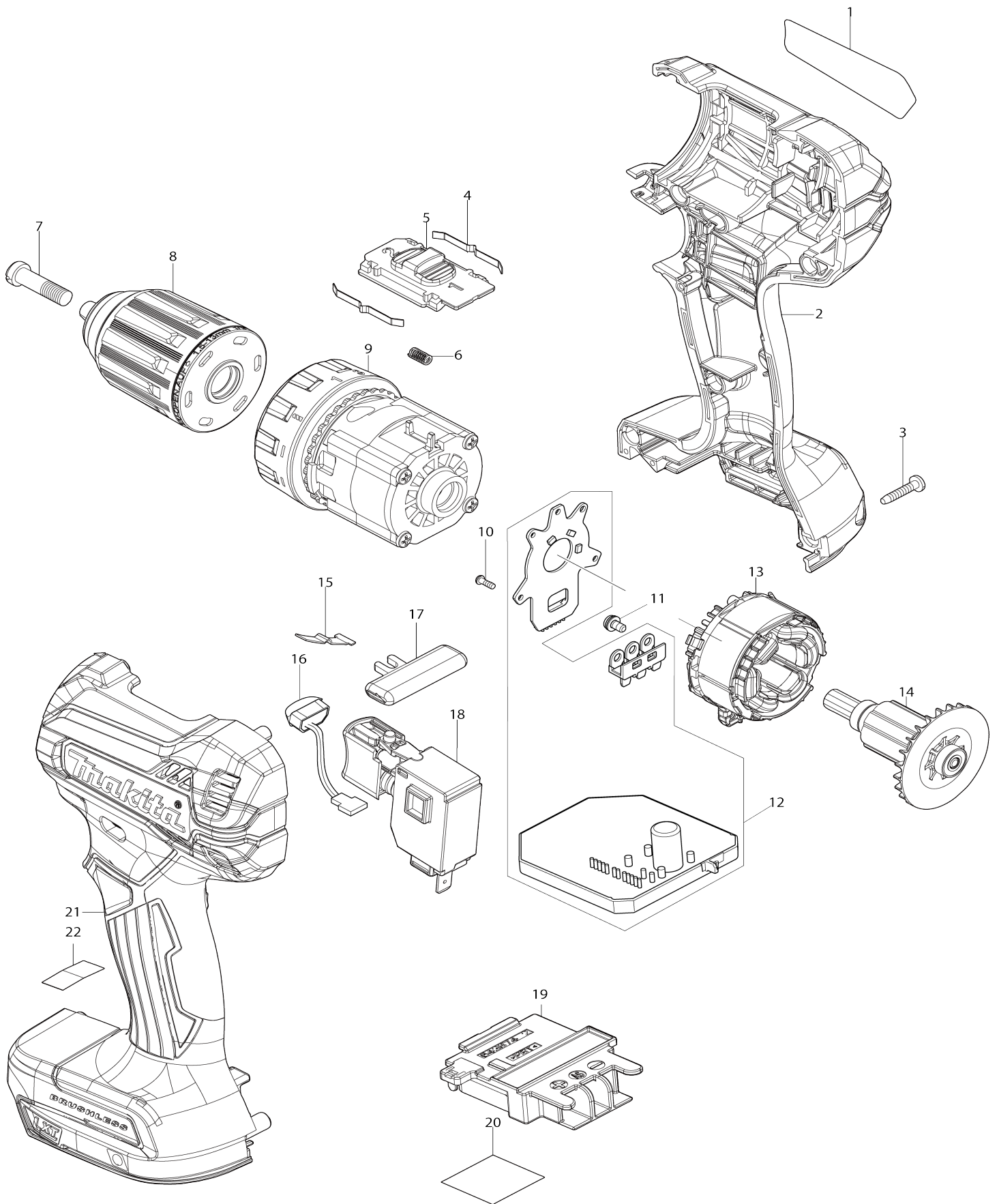


Model No.DDF485 CORDLESS DRIVER DRILL



Model No.DDF485 CORDLESS DRIVER DRILL

Item No.	Parts No.	Description	Interc hang eabilit y	Q'ty	New/ Old	Sales Pric e (BGN)	Purchase Price(BGN)	Note1	Note2
001	854U26-8	DDF485 NAME PLATE		1					
002	183K32-9	HOUSING SET		1	*	26,40		12341A	4
C10	263005-3	RUBBER PIN 6		2	*	0,29		Z52	23
C20	252126-6	HEX. LOCK NUT M4-7		2	*	0,60		02443B	4
002		INC. 21			*				
002-1	183K32-9	HOUSING SET	O	1		26,40		12341A	4
C10	263005-3	RUBBER PIN 6		2		0,29		Z52	23
002-1		INC. 21							
003	266429-2	TAPPING SCREW 3X16		8	*	0,10		02511A	25
003-1	266130-9	TAPPING SCREW BIND PT 3X16	O	8		0,29		Z72	94
004	232220-0	LEAF SPRING		2		0,29		N117	14
005	458671-1	SPEED CHANGE LEVER		1		1,50		04733B	6
006	233438-6	COMPRESSION SPRING 4		1		0,29		02321B	1
007	251468-5	- FLAT HEAD SCREW M6X22		1		0,36		02322A	153
008	766027-7	KEYLESS DRILL CHUCK 13		1		35,18		15212A	21
009	126962-5	GEAR ASSEMBLY		1	*	50,70		STOCK	0
009-1	127324-0	GEAR ASSEMBLY	<	1		51,30		W0715	39
010	266490-9	TAPPING SCREW PT 2X6		3	*	0,12		Z155B	7
010-1	265C47-1	TAPPING SCREW PT 2X6	O	3					
011	652069-6	FLAT HEAD SCREW M3X6		3		0,12		07313B	3
012	620964-8	CONTROLLER		1	*	126,66		07424A	15
012-1	620964-8	CONTROLLER	O	1	*	126,66		07424A	15
012-2	620964-8	CONTROLLER	O	1		126,66		07424A	15
013	629372-0	STATOR		1		16,50		06914	10
014	619533-0	ROTOR		1		36,66		06938	17
015	232182-2	LEAF SPRING		1		0,34		N116	9
016	620549-0	LED CIRCUIT		1		5,56		07642A	1
017	419041-9	F/R CHANGE LEVER		1		1,00		04312B	24
018	650710-5	SWITCH C3JW-4B		1	*	31,08		07321B	0
018-1	650006-4	SWITCH TGRK2-1	O	1		24,96		07833A	9
019	643874-2	TERMINAL		1		5,61		07224B	11
020	854U32-3	DDF485 SERIAL NO. LABEL		1					
021	183K32-9	HOUSING SET		1	*	26,40		12341A	4
C10	263005-3	RUBBER PIN 6		2	*	0,29		Z52	23
C20	252126-6	HEX. LOCK NUT M4-7		2	*	0,60		02443B	4
021		INC. 2			*				
021-1	183K32-9	HOUSING SET	O	1		26,40		12341A	4
C10	263005-3	RUBBER PIN 6		2		0,29		Z52	23
021-1		INC. 2							
A01	251314-2	+ TRUSS HEAD SCREW M4X12		1		0,29		N143	60
A02	346317-0	HOOK		1		3,50		03503	170
A02	346449-3	HOOK		1		2,34		03721A	36
A03	784637-8	+ - BIT 2-45		1		2,84		STOCK	0
A04	158597-4	PLASTIC CASE COMPLETE		1		40,00		A112	3
C10	417724-5	LATCH		2		2,80		04224B	22
A04	821550-0	CONNECTOR PLASTIC CASE (TYP E2)		1		60,00		A112	91
C10	453974-8	LATCH		4		0,83		03622A	12

A05	450128-8	BATTERY COVER		1		2,84		W2323	2
A06	***DC18RC	DC18RC FAST CHARGER		1					
A06		COMPO-PARTS							
A06-1	***DC18SD	DC18SD BATTERY CHARGER		1					
A06-1		COMPO-PARTS							
A07	197600-6	BATTERY BL1830B SET		2	*				
A07	197280-8	BATTERY BL1850B SET		2	*				
A07-1	197600-6	BATTERY BL1830B SET	O	2					
A07-1	197280-8	BATTERY BL1850B SET	O	2					
A08	837916-4	INNER TRAY		1		14,00		12152	20
A09	818D59-5	DDF485RFJ INDICATION LABEL		1	*				
A09	818D61-8	DDF485RTJ INDICATION LABEL		1	*				
A09-1	818D91-9	DDF485RFJ INDICATION LABEL	O	1					
A09-1	818D93-5	DDF485RTJ INDICATION LABEL	O	1					
A09-1	8033C9-8	DDF485RF3J INDICATION LABEL		1					
A09-1	819A13-4	DDF485SFJ INDICATION LABEL		1					
A10	818D60-0	DDF485RFJ PLASTIC CASE LABEL		2	*				
A10	818D62-6	DDF485RTJ PLASTIC CASE LABEL		2	*				
A10-1	818D92-7	DDF485RFJ PLASTIC CASE LABEL	O	2					
A10-1	818D94-3	DDF485RTJ PLASTIC CASE LABEL	O	2					
A10-1	8033D0-3	DDF485RF3J PLASTIC CASE LABEL		2					
A10-1	819A14-2	DDF485SFJ PLASTIC CASE LABEL		2					
A11	196235-0	BATTERY BL1815N SET		1		157,50		W2334	0

Please state Parts No. when your order.

Print Date 24.01.2025 r.